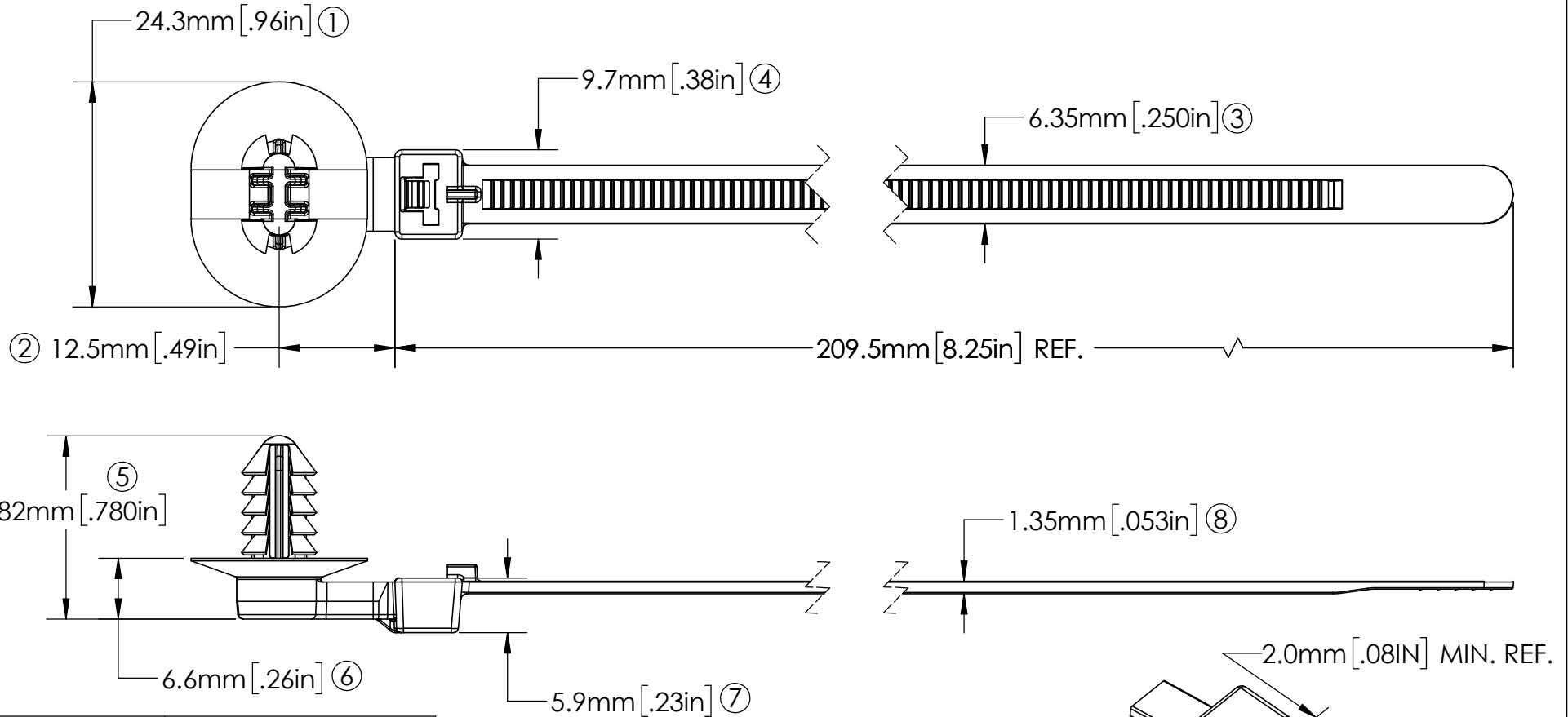


AVERY DENNISON MARKETING SPECIFICATION

© 2021 AVERY DENNISON CORPORATION. ALL RIGHTS RESERVED

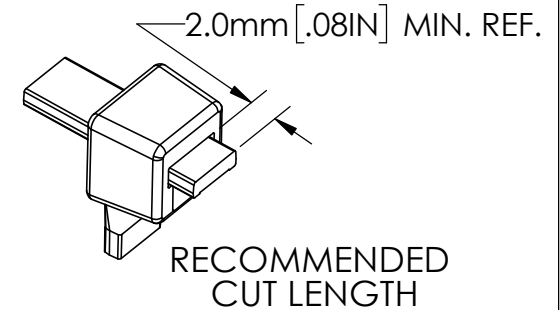
HISTORY

REV.	DATE	DESCRIPTION
A	07.22.21	RELEASED



NOTES:

1. THE (Δ) DENOTES A CRITICAL CHARACTERISTIC.



9	△	FLAMMABILITY:	HB RATING PER FMVSS302
10	△	TENSILE STRENGTH:	50 lbf / 222N MIN.
		MOUNTING:	6.2mm X 12.2mm ; 6.5mm X 12.5mm ; 6.5mm X 13.0mm ; 7.0mm X 12.0mm THICKNESS OF 0.6mm TO 7.0mm
		INSERTION:	10lbf / 44.5N MAX
		EXTRACTION:	25lbf per USCAR-44 NOM. FORCES: >40lbf / 178N MIN
		OPERATING TEMP RANGE:	-40 °F (-40 °C) TO 302 °F (150 °C) CONTINUOUS AND 329 °F (165 °C) AT MAXIMUM EXPOSURE
		WEIGHT:	3.2g
		BUNDLE DIAMETER:	∅ 1.6mm TO ∅ 50.0mm
		TOOL:	12001 - HAND TOOL 12500 - PNEUMATIC TOOL
		TOOL TENSION SETTING:	6 - 8
		PACKAGING:	1000/BAG, 5BAGS/MASTER

APPROVALS:

ENG. APPR.	<i>D. Gilbertson</i>	07.22.21
Q.A. APPR.	<i>R. Estano</i>	07.22.21

SPECIFIED TOLERANCES ARE:

.XX ± .03 INCHES	.X ± .7 mm
.XXX ± .010 INCHES	.XX ± .25 mm
ANGULAR: ± 2°	

MATERIAL	NYLON 6/6, IMPACT MODIFIED, HEAT STAB.
COLOR	BROWN

	FASTENER DIVISION FITCHBURG, MA 01420 U.S.A. TEL. 1-800-225-5913 FAX. 978-353-8157
	DESCRIPTION OVAL FIR TREE OFFSET TIE, 12.5mm, REV, HI HEAT STOCK NO. 20293-HHBN
REV.	A